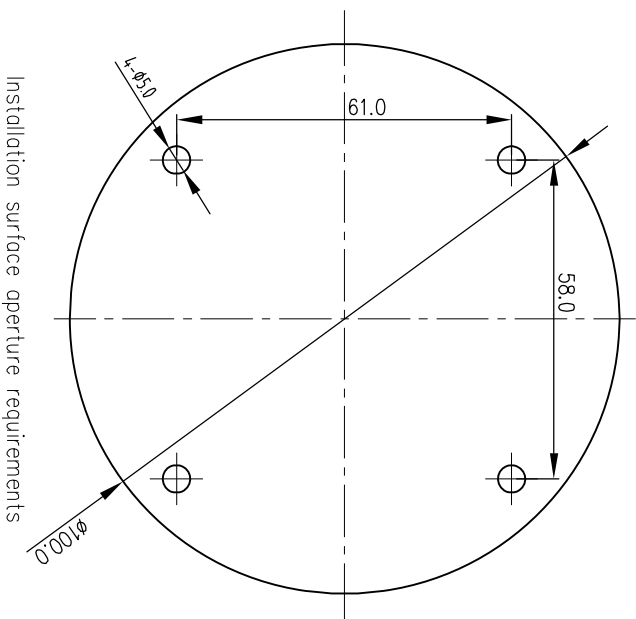
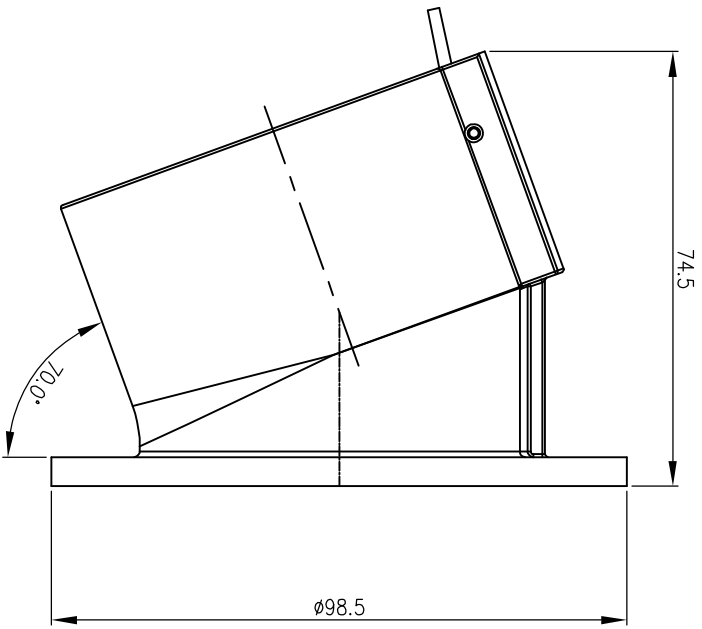
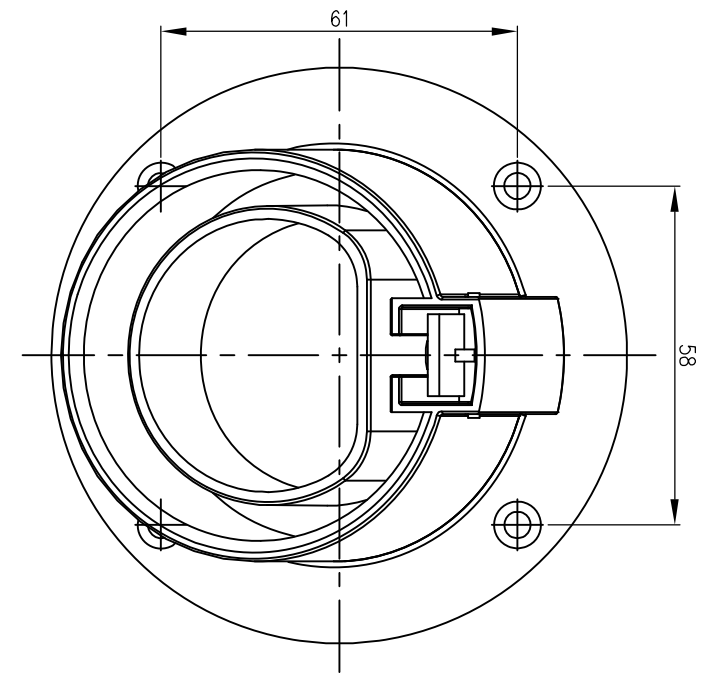
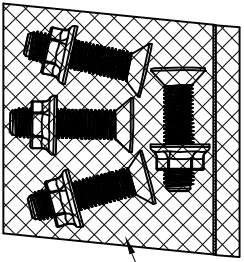


REVISION RECORD			
REV	ECN	DESCRIPTION	DATE



Installation surface aperture requirements



M4\*25mm Material: SUS304  
The mounting screws are individually packaged

Size Measure Range	XX	X
56	±0.05	±0.10
6-30	±0.10	±0.20
30-120	±0.15	±0.30
120-400	±0.20	±0.50
400-1000	±0.30	±0.80
1000-2000	±0.50	±1.20
Angle Measure Range	XX	X
	±0.5°	±1.0°

MATERIAL	FINISHING	NOTES
PART NO.:		
APPD:		
CHGD:		
DRAFT:		
TITLE:	CUSTOMER DRAWING	REV DO-1
DRAWING NO.:	FEAC-V-C02	SHEET 1/1
THIRD ANGLE PROJECTION	DO NOT SCALE DRAWING	SCALE 1:1

A

B

C

D

E

F

G

H

8

7

6

5

4

3

2

1

A

B

C

D

E

F

G

H